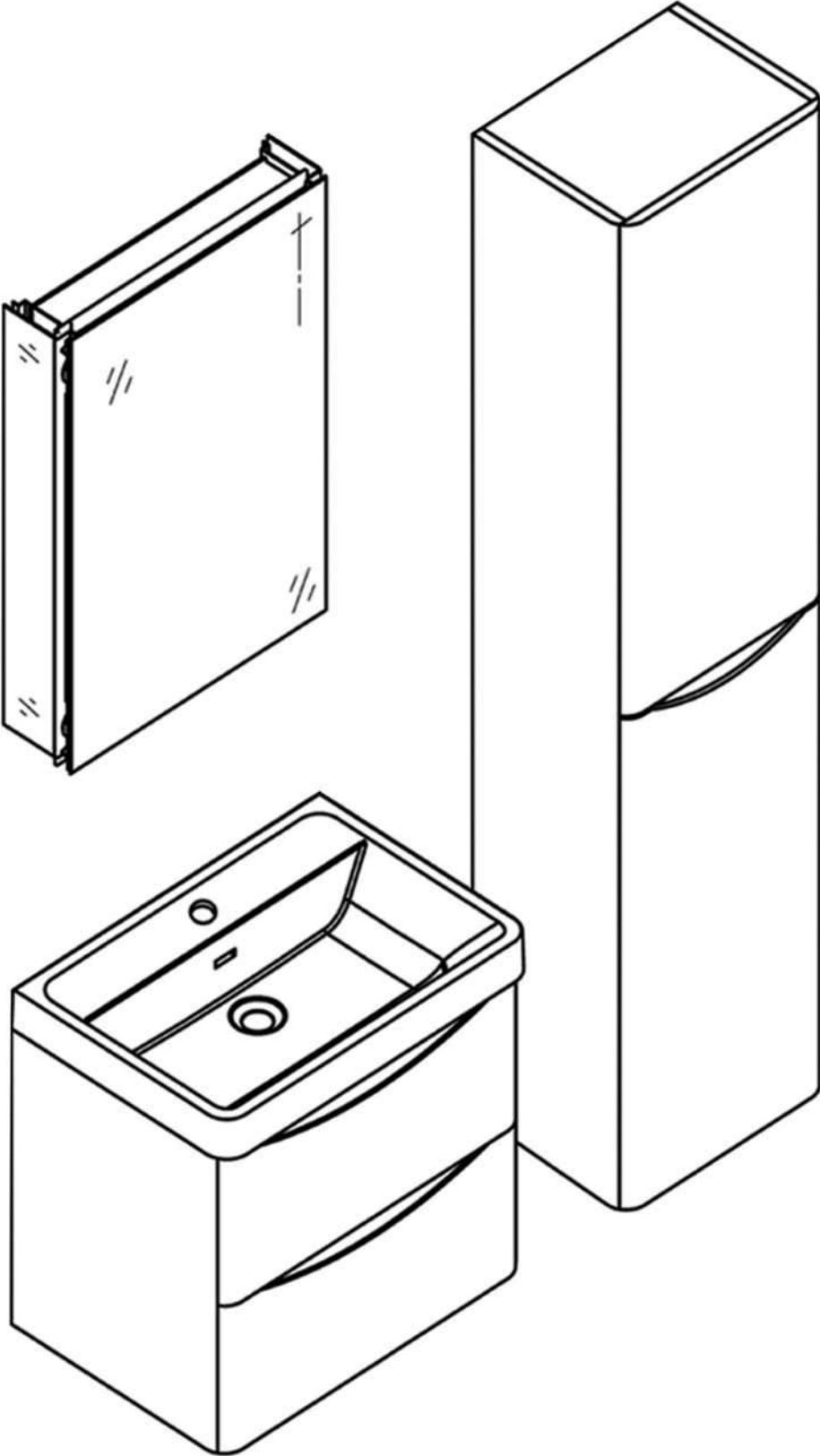
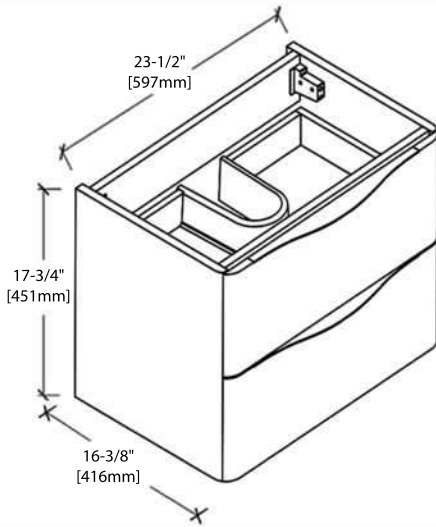


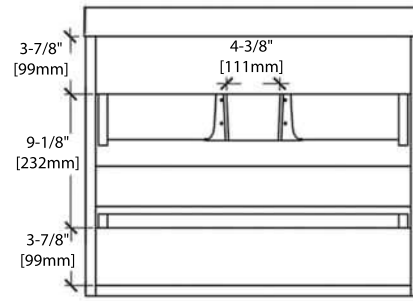
# INSTALLATION MANUAL Dimensions are ±1/8"



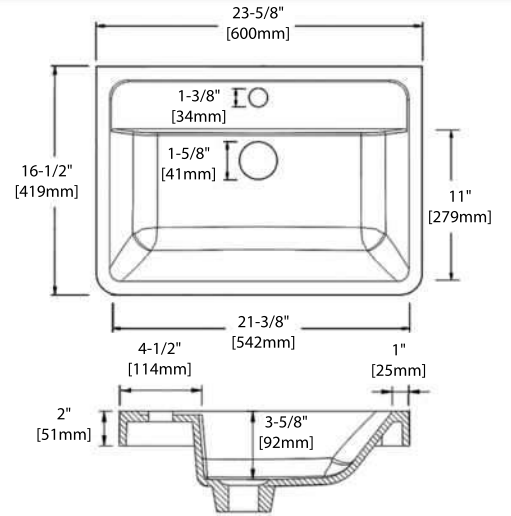
## 24" VANITY



V8012 24

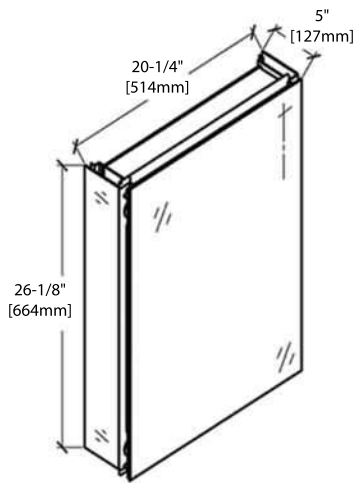


BACK VIEW



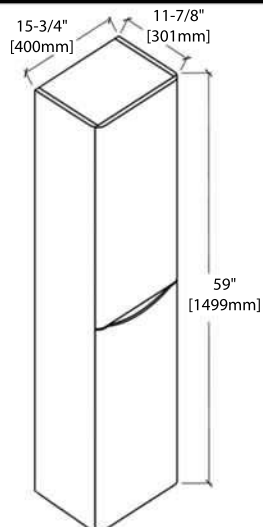
A10 2417 02

## MEDICINE CABINET



MC7 2026

## 16" SIDE CABINET



S8012 16 10

## REQUIRED TOOLS



### PARTS INCLUDED



**1**

Screw position

Horizontal Line

Screw position

Horizontal Line

**2**

Drill Hole  
Dia =  $\varnothing 6$   
Depth = 40

**3**

10 B

**4**

4A

6C

2D

**5**

Hang medicine cabinet and vanity on brackets

**6**

# REQUIRED TOOLS



Tape Measure



Pencil



Electric Drill



Drill Bit (6mm)



Silicone



Screwdriver

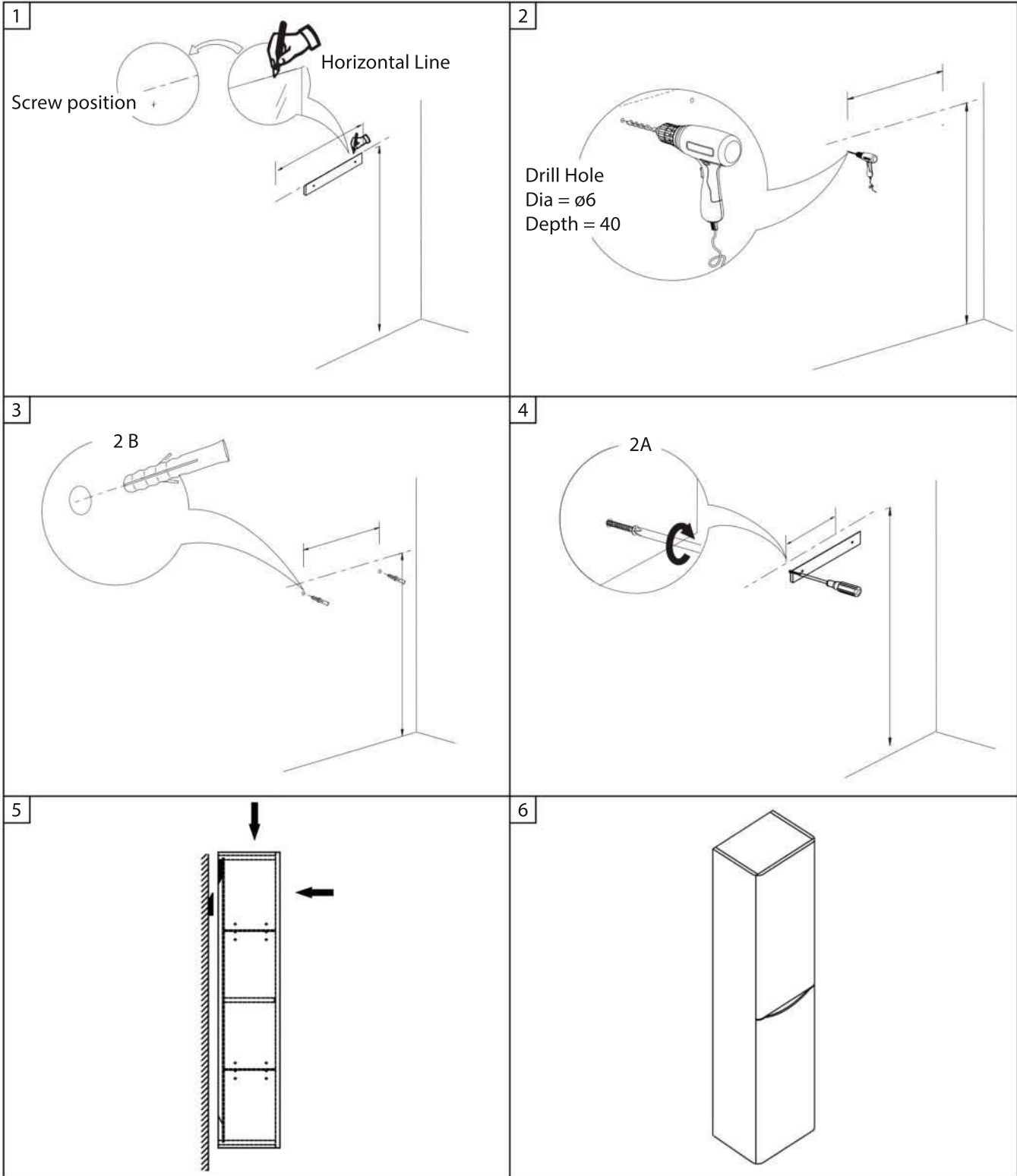
## PARTS INCLUDED



2A



2B



# DRAWER REMOVAL & INSTALLATION

